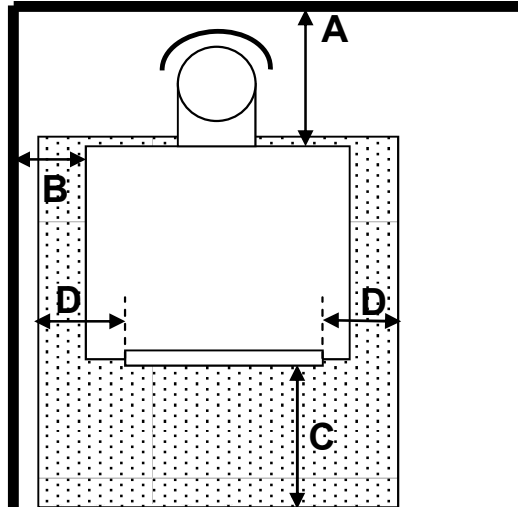
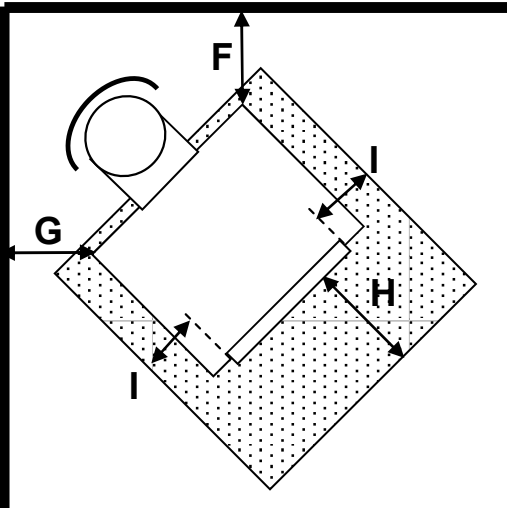


**Test Results for High fire: COAL**

Parallel Position Clearance Distance	Position	Clearance (mm)	Max temp rise (°C)	
			High	Flash
	(A) Rear	520	Rear Wall	
			48.9	n/a
	(B) Side	500	Side Wall	
			59.2	n/a
	(C) Floor protector (front)	600	Floor	
			72.8	n/a
	(D) Floor protector (side)	200	Ceiling	
			46.7	n/a

Corner Position Clearance Distance	Position	Clearance (mm)	Max temp rise (°C)	
			High	Flash
	(F) Side	380	Rear Wall	
			45.9	n/a
	(G) Side	380	Side Wall	
			50.6	n/a
	(H) Floor protector (front)	600	Floor	
			61.6	n/a
	(I) Floor protector (side)	200	Ceiling	
			53.5	n/a

\* Note that this temperature passed within the laboratories margin of uncertainty.

**Technical Note:**

1. The clearance measurement A, B, F and G were taken from the distance between walls and closest point of the appliance, C and H were measured from the front of the fuel-loading opening to the edge of the floor protector, D and I were measured from each side of fuel-loading opening, E and J were calculated from the flue's surface to the rear wall.
2. The flue was installed onto the flue spigot, extended centrally and vertically without bend before and after penetration of the ceiling plane.
3. Drawings shown above are not to scale.